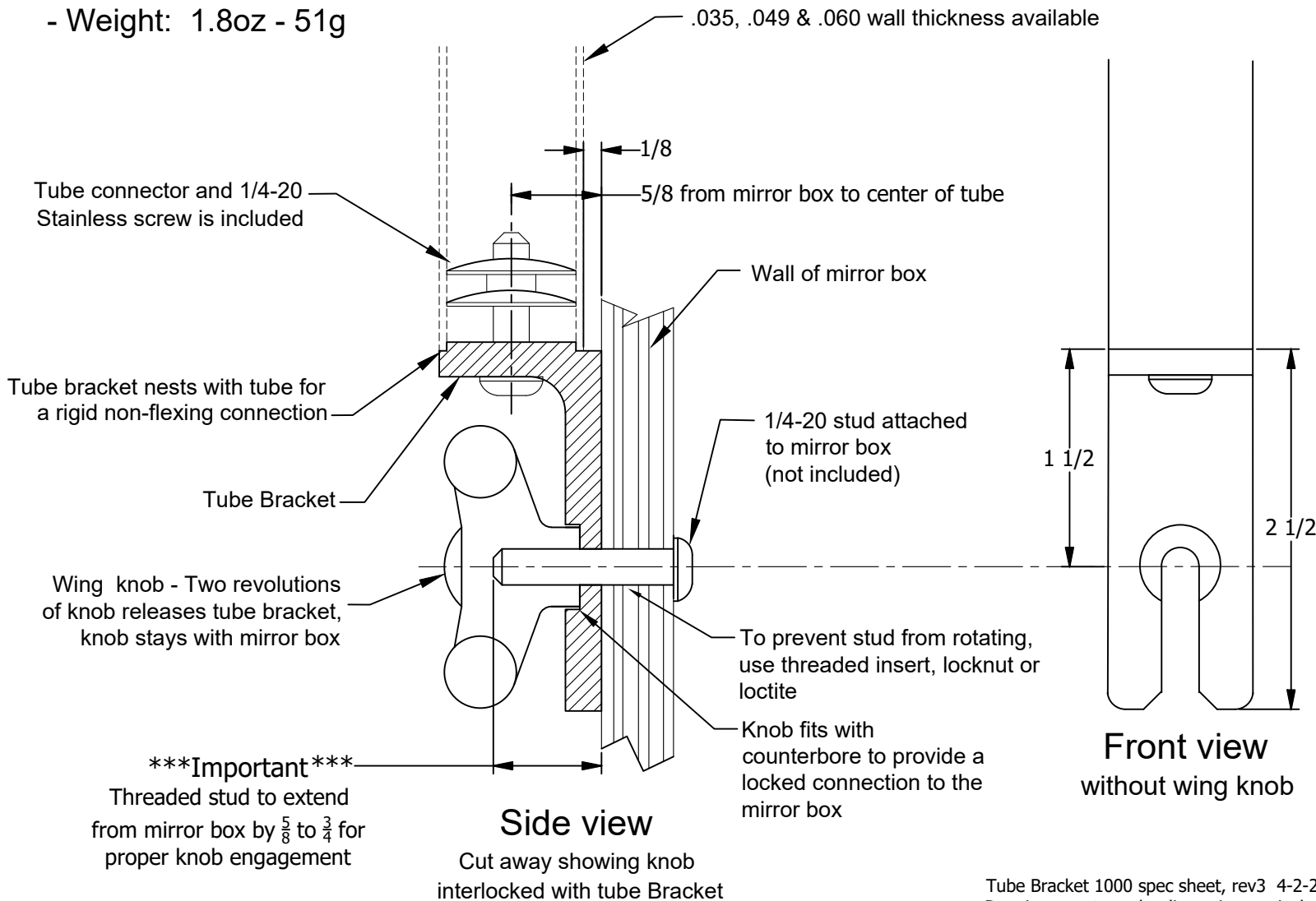
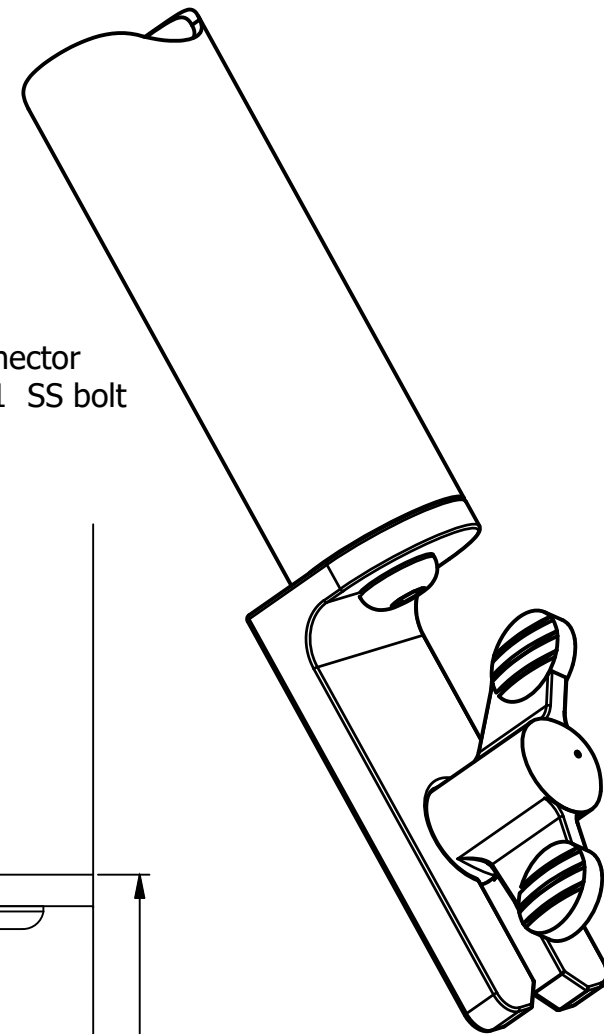


Truss Bracket 1.0 dia. tubes Model TB1000

- Anchors truss poles to mirror box, rotates to match angle
- Machined from 1/4 in. thick aluminum angle
- Knob stays with mirror box during transport
- Can be mounted on the inside or outside of mirror box
- Fast on-off, slip fork over mounting stud, tighten knob
- Reinforced plastic knob with steel insert
- Black anodized finish
- Weight: 1.8oz - 51g

Includes:

- 1 Bracket
- 1 Knob
- 1 Tube connector
- 1 1/4-20 x 1 SS bolt



Tube Bracket 1000 spec sheet, rev3 4-2-20
Drawings are to scale, dimension are inches



www.aurorap.com
6644 SE Jerry Dr.
Prineville Oregon 97754
541-362-5965