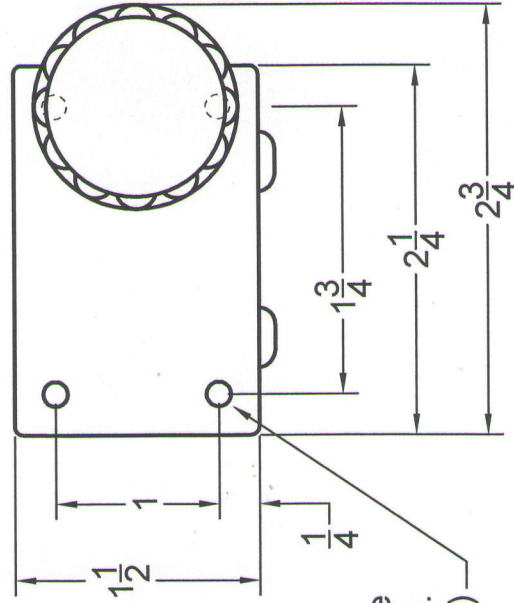


1 in. Diameter Truss Tube Clamp Model #CC100D

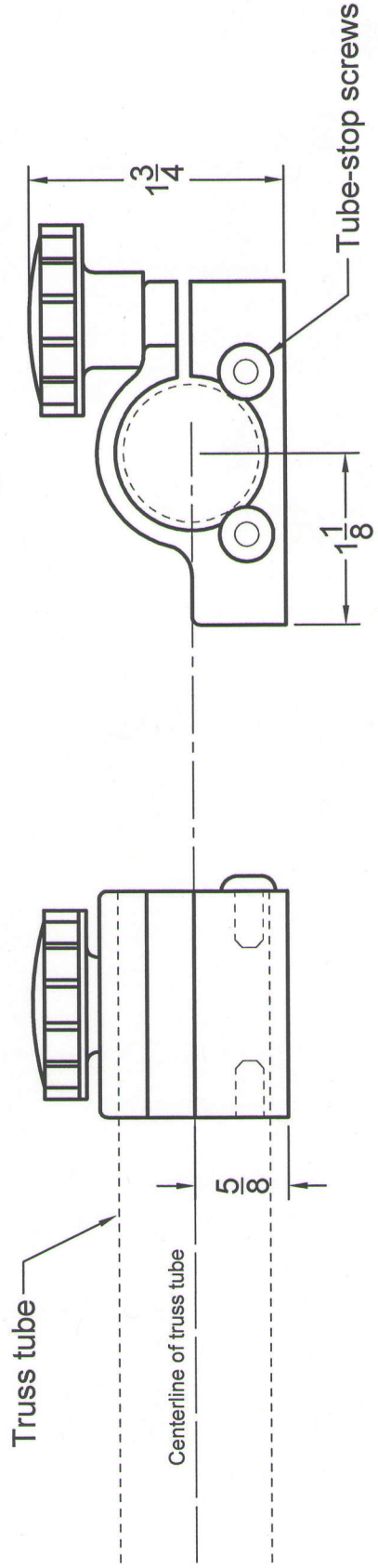


www.aurorap.com
 20420 Boones Ferry Rd. NE
 Aurora, Oregon 97002
 503-678-6300

- Machined from black Delrin.
- Provides superior structural integrity over ball and socket clamps.
- Removable tube-stop screws allow for flexibility in placing the clamp knob in a left or right position.
- Can be mounted on inside or outside of mirror box.
- All stainless steel hardware.
- Black phenolic knob with brass insert.
- Assembly weight: 64 grams, 2.2 oz.



Mounting holes are threaded 10-32. (4 places)



All dimensions are in inches.