

Tube Bracket 1-1/2 dia. tubes Model TB1500

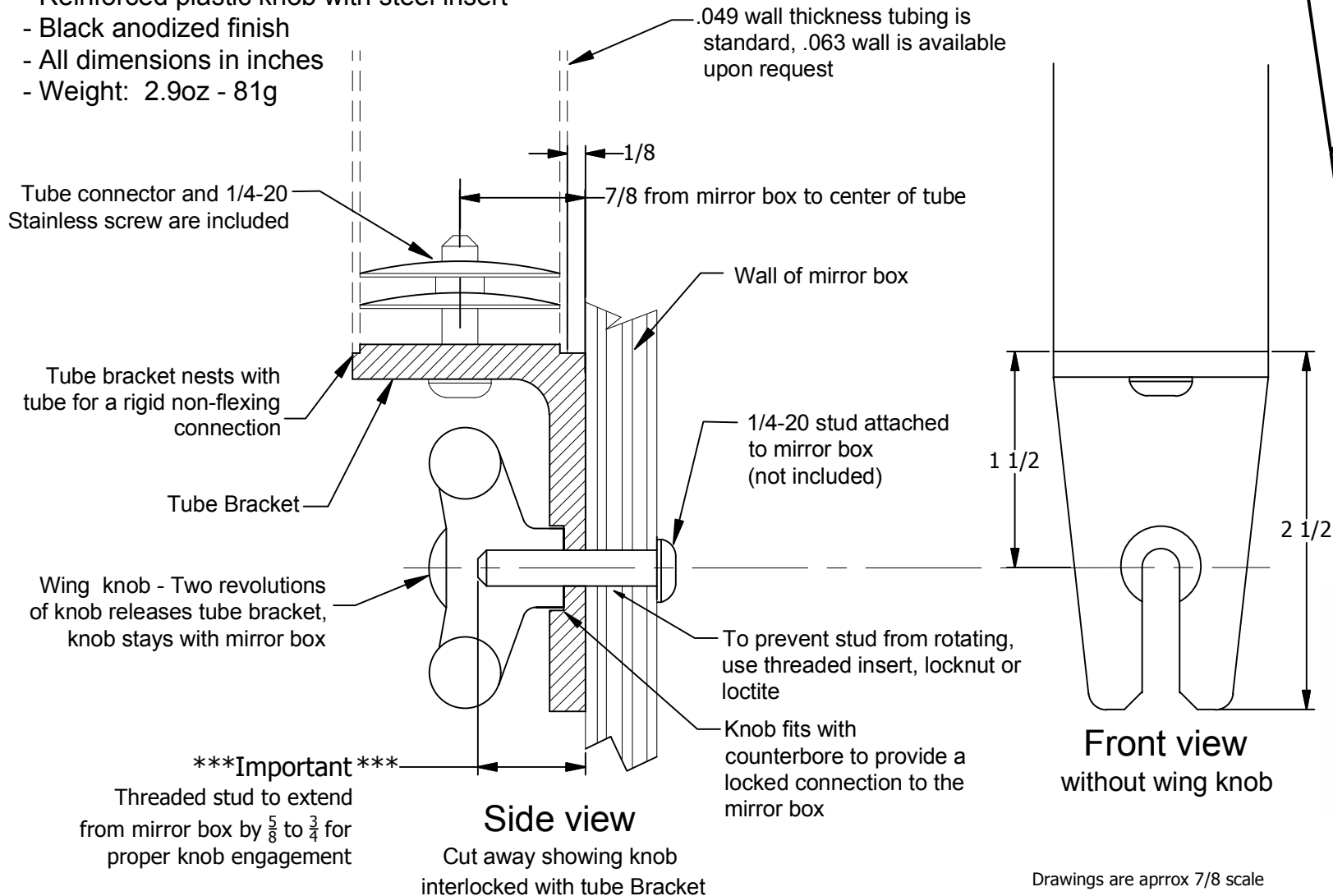
This tube bracket is a lower cost solution to our rugged tube clamp Model TC1500, and is a great improvement over the old method of flattening the ends of your tubes.

- Machined from 1/4 in. thick aluminum angle
- Knob stays with mirror box during transport
- Can be mounted on the inside or outside of mirror box
- Locks truss poles to mirror box to maintain collimation
- Fast on-off, slip fork over mounting stud, tighten knob
- Reinforced plastic knob with steel insert
- Black anodized finish
- All dimensions in inches
- Weight: 2.9oz - 81g

Price \$15.00 ea.

Includes:

- 1 Bracket
- 1 Knob
- 1 Tube connector
- 1 1/4-20 x 1 SS BHCS



www.aurorap.com
 20420 Boones Ferry Rd. NE
 Aurora, Oregon 97002
 503-678-6300