

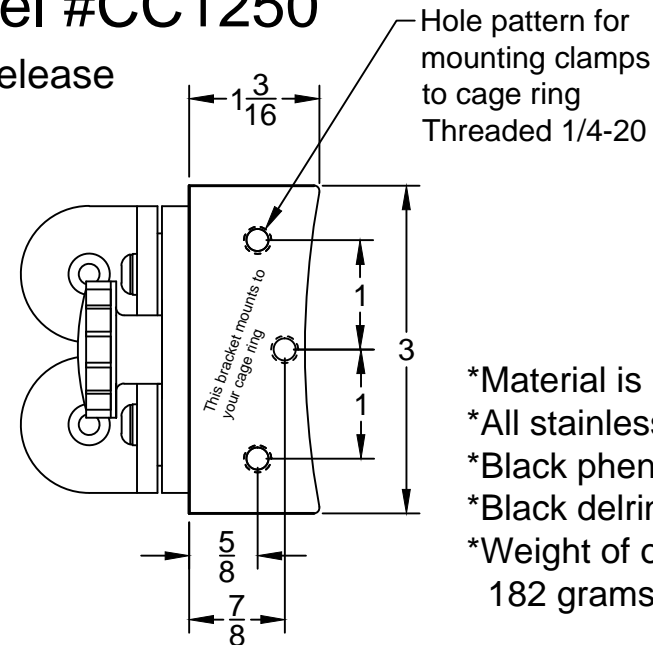
Quick Release Cage Clamp

1-1/4in. dia. Truss Tubes Model #CC1250

- Tapered holes for quick and smooth engage/release of the secondary cage, even in the dark
- Two locking pins form a rigid connection that maintain your collimation, no creep during the nights viewing
- Truss poles stay connected in pairs to speed assembly/disassembly
- Compact design for rigidity and dampening



www.aurorap.com
6644 SE Jerry Dr.
Prineville Oregon 97754
541-362-5965



- *Material is black anodized aluminum
- *All stainless steel hardware
- *Black phenolic knob with brass insert
- *Black delrin bushings at all joints
- *Weight of one assembly is 182 grams, 6.4 oz.

All dimensions are in inches.

1/4 dia Locking pins secure assembly

Clamping knob is captured, can't be dropped or lost

Tubes pivot to fit truss angle

lower ring of cage assembly

$1 \frac{5}{8}$

$\frac{15}{16}$ from bracket to center of tubes

Stays mounted to the cage

Pair of tubes release

Alternate method of assembly.

Brackets are turned, allowing tubes to be under the cage ring. This may be helpful depending on your scope design, or to reduce the size of the mirror box.

When placing order specify the alternate method of assembly.

$\frac{1}{8}$ from bracket to center of tubes

Tube brackets cap tubes and nest inside for a rigid non-flexing connection. Standard tube wall thickness is .049

Tube connectors are included. Drive connectors into tubes to grip tube wall