

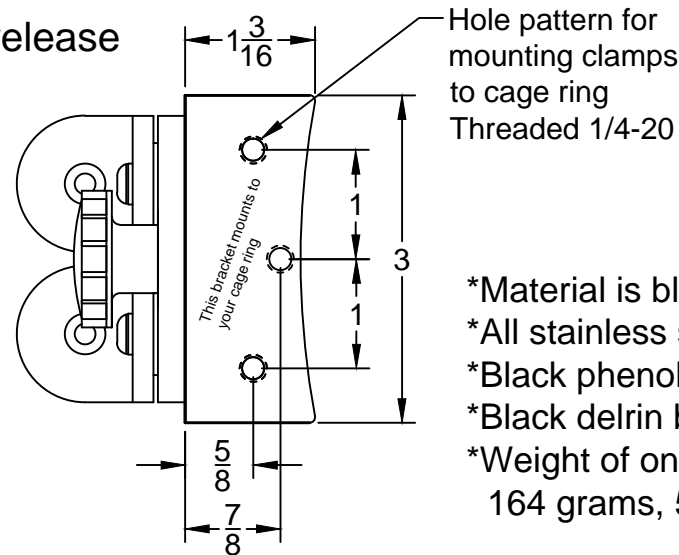
Quick Release Cage Clamp

1-1/8in. dia. Truss Tubes Model #CC1125

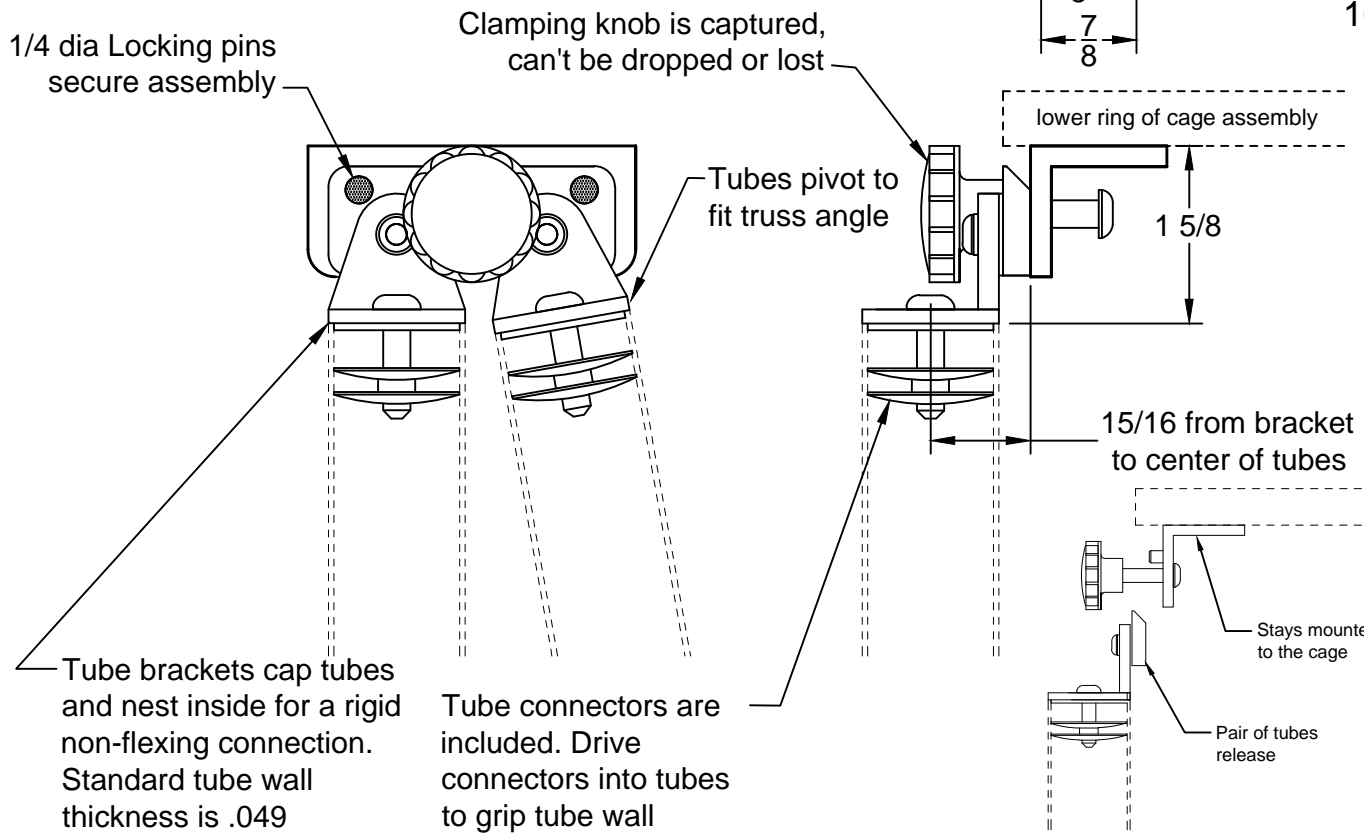


www.aurorap.com
 6644 SE Jerry Dr.
 Prineville Oregon 97754
 541-362-5965

- Tapered holes for quick and smooth engage/release of the secondary cage, even in the dark
- Two locking pins form a rigid connection that maintain your collimation, no creep during the nights viewing
- Truss poles stay connected in pairs to speed assembly / disassembly
- Compact design for rigidity and dampening.



- *Material is black anodized aluminum
- *All stainless steel hardware
- *Black phenolic knob with brass insert
- *Black delrin bushings at all joints
- *Weight of one assembly is 164 grams, 5.8 oz.



All dimensions are in inches.

