

80mm Fan Kit for AZ mirror cells

Fits Model #AZ-12, 12.5, 13, 14.5

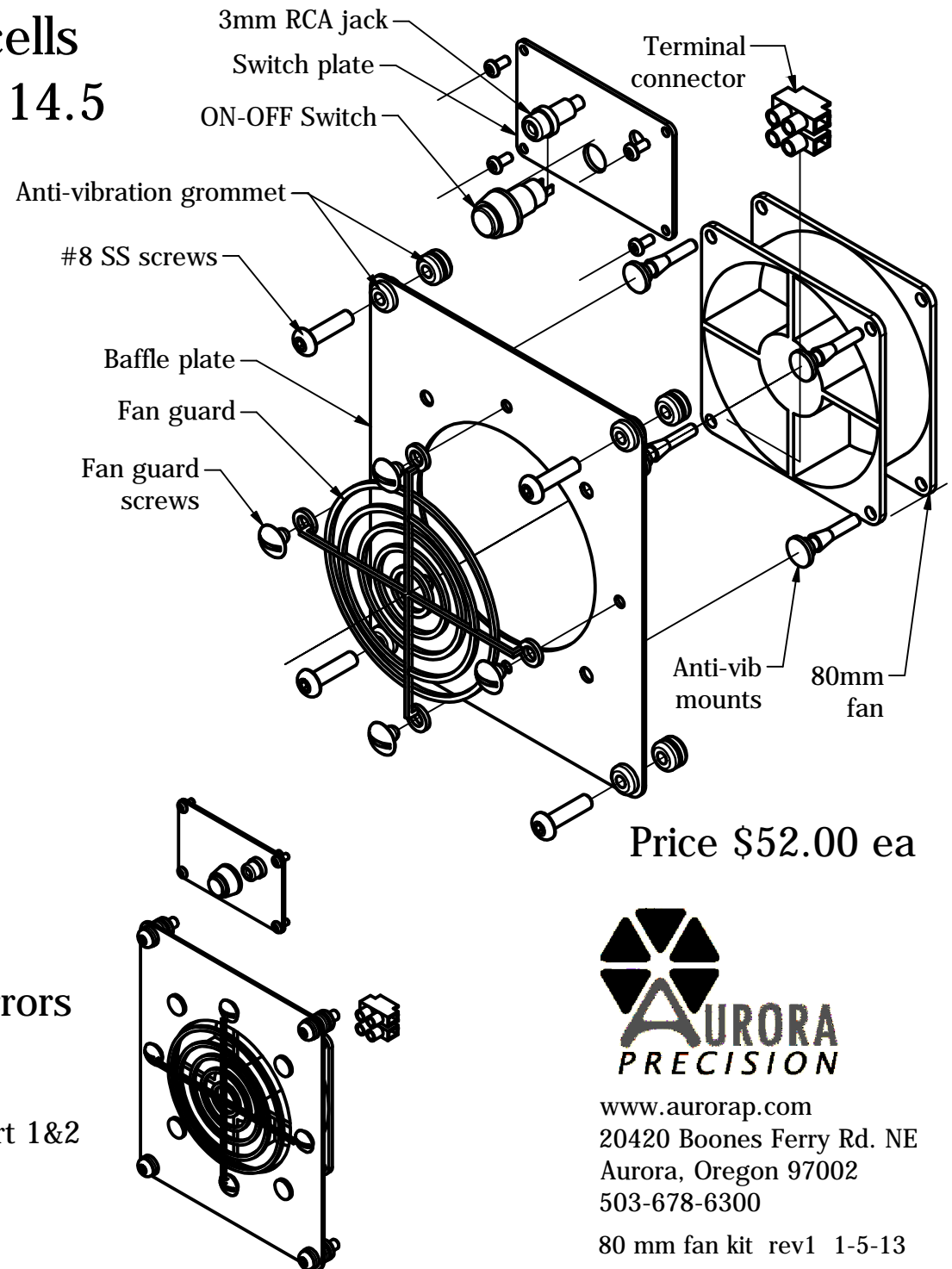
This kit comes with everything to keep your mirror as close to ambient temperature as possible
Power source not included

Description:

- Kit is made to complement our line of AZ mirror cells
- Can be ordered installed with a mirror cell or added to your cell later
- Rubber grommets and mounts isolate fan vibration from the telescope 3 ways.
- The baffle plate eliminates recirculation of air, improves cooling
- The fan specs are, 30-34 CFM 12V .1A 1.2W 1700 rpm with ball bearings
- A 1/8in RCA jack is provided for a 12V power connection
- Some wiring is required
- Mounting hardware is included

For information on fan cooling of mirrors

1. Using Fans with Newtonians by Bryan Greer protostar.com
2. Conquering Newtonian Reflector Thermals part 1&2 by Gary Seronik garyseronik.com



www.aurorap.com
20420 Boones Ferry Rd. NE
Aurora, Oregon 97002
503-678-6300

80 mm fan kit rev1 1-5-13