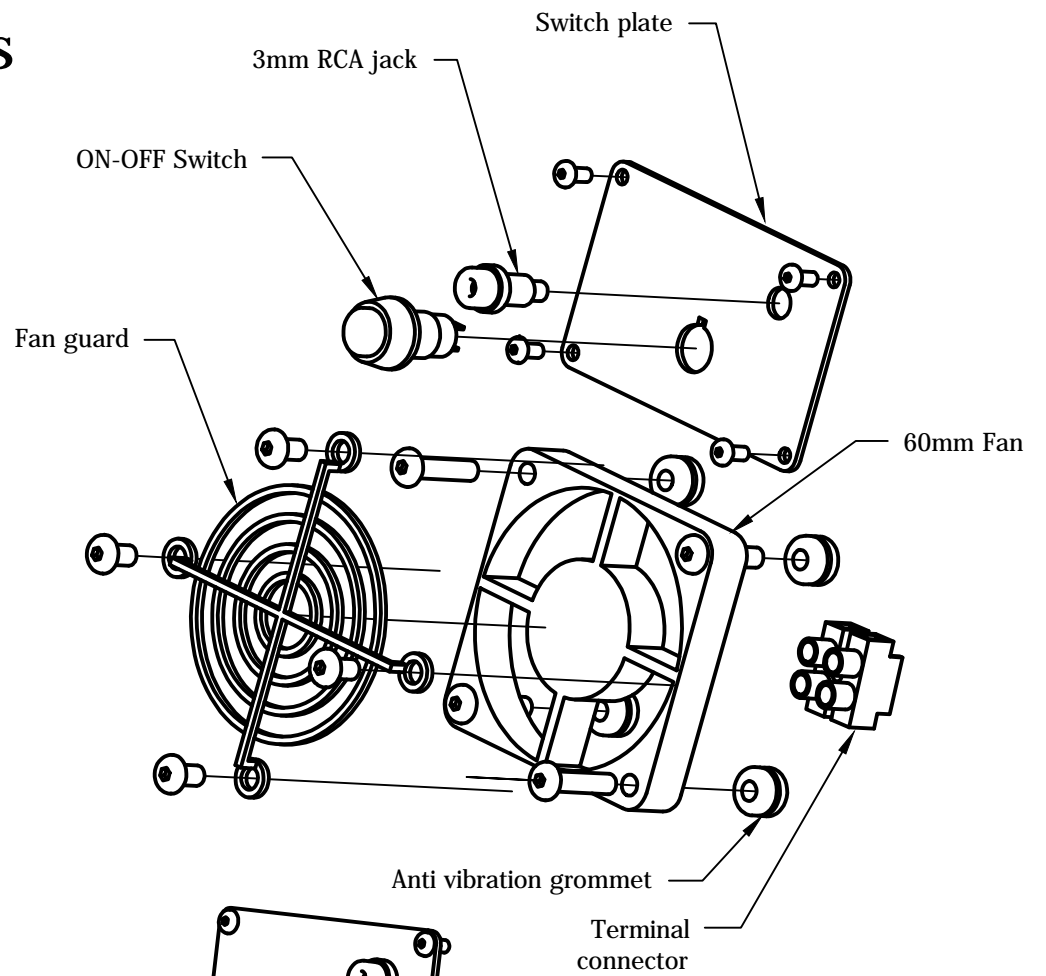


60mm Fan Kit for AZ mirror cells

Fits Model #AZ-10 & AZ-11

Description:

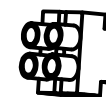
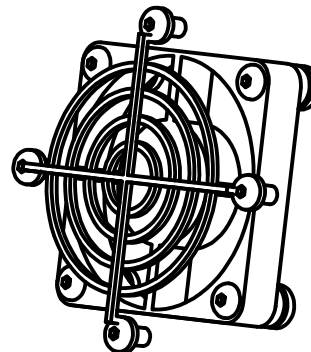
- Kit is made to complement our line of AZ mirror cells
- Can be ordered installed with a mirror cell or added to your cell later
- Rubber grommets and mounts isolate fan vibration from the telescope
- The fan specs are, 18 CFM 12V .08A 4200 rpm with 1 ball & 1 sleeve bearing
- A 1/8in RCA jack is provided for a 12V power connection
- Some wiring is required
- Mounting hardware is included



Price \$30.00 ea

For information on fan cooling of mirrors

1. Using Fans with Newtonians by Bryan Greer
protostar.com
2. Conquering Newtonian Reflector Thermals part 1&2
by Gary Seronik garyseronik.com



www.aurorap.com
20420 Boones Ferry Rd. NE
Aurora, Oregon 97002
503-678-6300

60 mm fan kit rev1 2-2-13